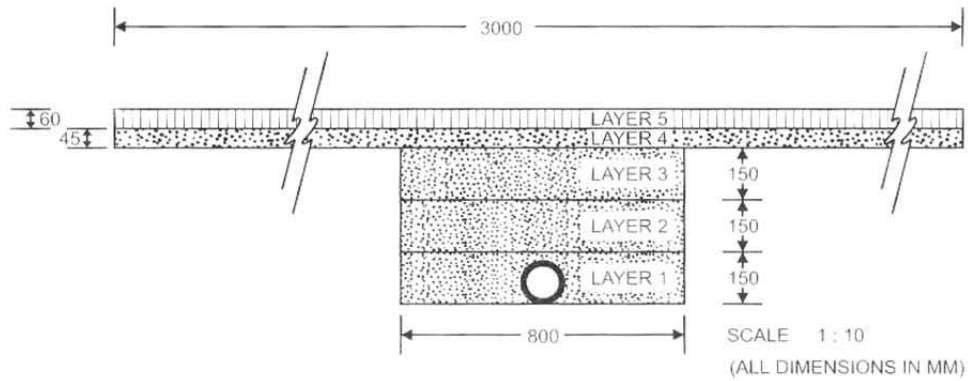


TYPICAL CROSS SECTION OF TRENCH FOR REINSTATEMENT ON FOOTPATH / PASSAGES



Layer wise details for item / materials to be used & its compaction.

| Layer No. | FMR Schedule No. | Description of Material | Remarks |
|-------------|------------------|-------------------------|---|
| Layer 1 | _____ | Granular Material | Sufficient watering & Ramming by Utility |
| Layer 2 & 3 | FMCCR - 27 | Granular Material | Sufficient watering & Ramming by Reinstatement contractor |
| Layer 4 | FMR - 321 | Sand Cushioning | _____ |
| Layer 5 | FMR - 321 | C.C. Paver Block | _____ |

- NOTE :** 1) The thickness and No. of Layers of Granular Material filling will depend on proposed depth of excavation as per application from utility **Annexure - I**
- 2) The maximum thickness of each Layer of Granular Material shall not be exceed 150 mm.